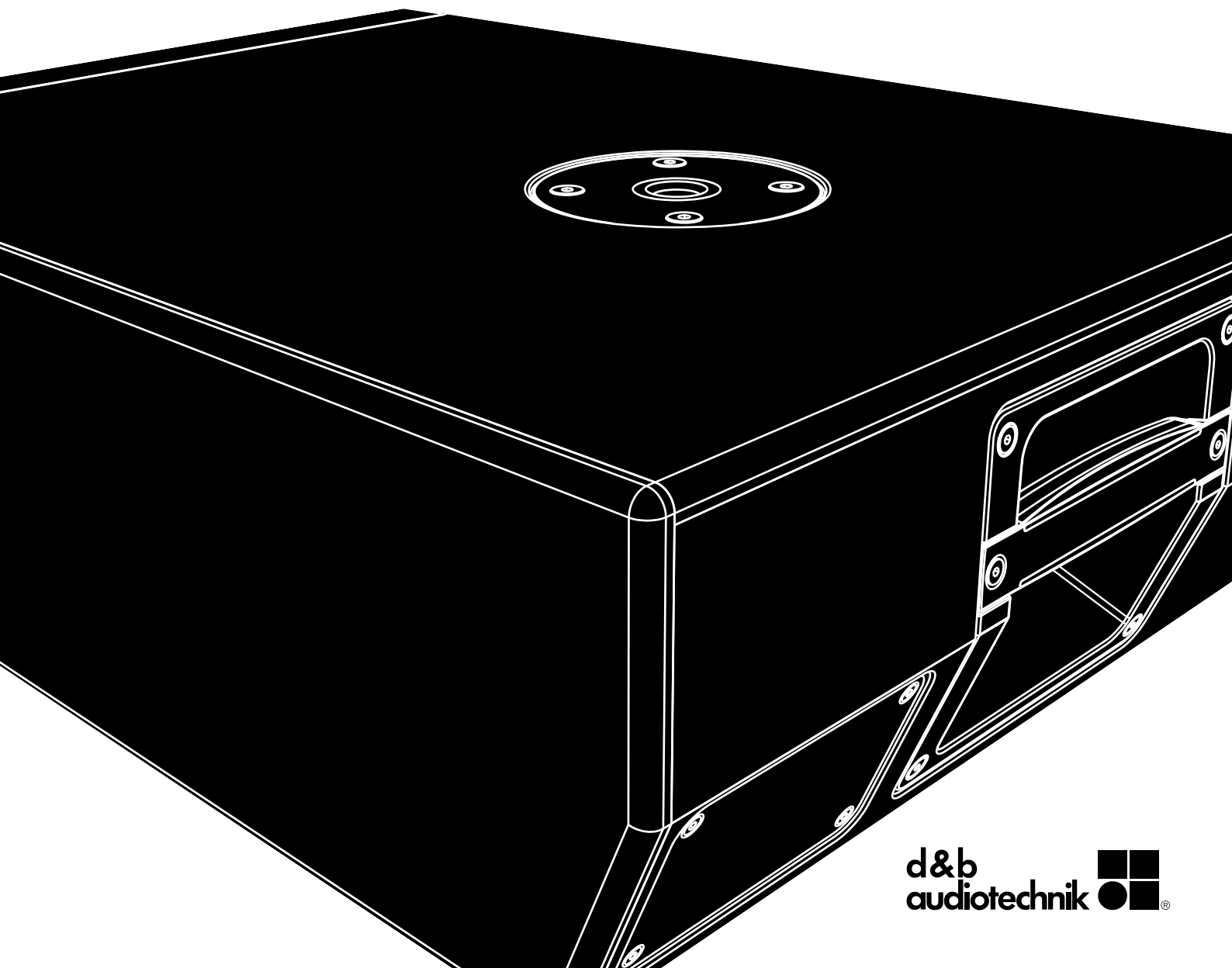


B

B8-SUB
Manual 1.1 en



General information

B8-SUB Manual

Version: 1.1 en, 03/2019, D2727.EN .01

Copyright © 2019 by d&b audiotechnik GmbH; all rights reserved.

Keep this document with the product or in a safe place so that it is available for future reference.

We recommend you to regularly check the d&b website for the latest version of this document.

When reselling this product, hand over this document to the new owner.

If you supply d&b products, please draw the attention of your customers to this document. Enclose the relevant documents with the systems. If you require additional documents for this purpose, you can order them from d&b.

d&b audiotechnik GmbH
Eugen-Adolf-Strasse 134, D-71522 Backnang, Germany
T +49-7191-9669-0, F +49-7191-95 00 00

1	Safety precautions	4
1.1	Information regarding the use of loudspeakers.....	4
2	B8-SUB loudspeaker	5
2.1	Product description.....	5
2.2	Connections.....	5
2.3	Operation.....	5
2.3.1	Controller settings.....	6
2.4	Technical specifications.....	6
3	Manufacturer's declarations	7
3.1	EU conformity of loudspeakers (CE symbol).....	7
3.1.1	WEEE Declaration (Disposal).....	7

1.1 Information regarding the use of loudspeakers

Potential risk of personal injury

Never stand in the immediate vicinity of loudspeakers driven at a high level. Professional loudspeaker systems are capable of causing a sound pressure level detrimental to human health. Seemingly non-critical sound levels (from approx. 95 dB SPL) can cause hearing damage if people are exposed to it over a long period.

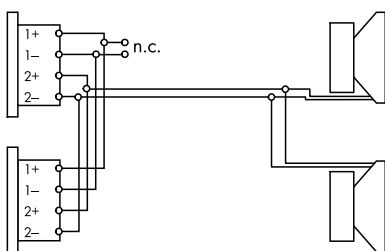
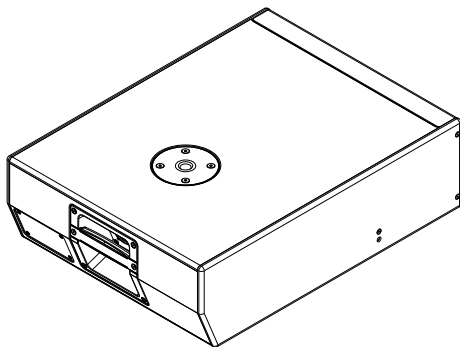
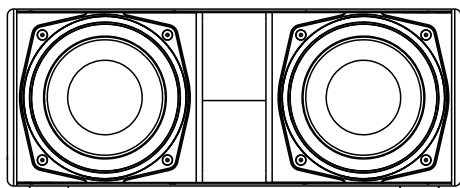
In order to prevent accidents when deploying loudspeakers on the ground or when flown, please take note of the following:

- When setting up the loudspeakers or loudspeaker stands, make sure they are standing on a firm surface. If you place several systems on top of one another, use straps to secure them against movement.
- Only use accessories which have been tested and approved by d&b for assembly and mobile deployment. Pay attention to the correct application and maximum load capacity of the accessories as detailed in our specific "Mounting instructions" or in our "Flying system and Rigging manuals".
- Ensure that all additional hardware, fixings and fasteners used for installation or mobile deployment are of an appropriate size and load safety factor. Pay attention to the manufacturers' instructions and to the relevant safety guidelines.
- Regularly check the loudspeaker housings and accessories for visible signs of wear and tear, and replace them when necessary.
- Regularly check all load bearing bolts in the mounting devices.

Potential risk of material damage

Loudspeakers produce a static magnetic field even if they are not connected or are not in use. Therefore make sure when erecting and transporting loudspeakers that they are nowhere near equipment and objects which may be impaired or damaged by an external magnetic field. Generally speaking, a distance of 0.5 m (1.5 ft) from magnetic data carriers (floppy disks, audio and video tapes, bank cards, etc.) is sufficient; a distance of more than 1 m (3 ft) may be necessary with computer and video monitors.

2 B8-SUB loudspeaker



NLT4 F/M connector wiring

2.1 Product description

The B8-SUB is an actively driven, compact, high performance subwoofer.

The cabinet houses two 6.5" LF driver with ferrite magnets in a bass-reflex design. Its frequency response extends from 43 Hz to 170 Hz/125 Hz.

The enclosure is constructed from marine plywood with an impact resistant black paint finish. The front of the cabinet is protected by a rigid metal grill backed by an acoustically transparent foam.

Four rubber feet prevent cabinet movement and protect the bottom panel against scratching.

On the rear, the cabinet incorporates a handle and an M20 threaded flange in the top panel that accepts the d&b Z5013 Loudspeaker stand for the deployment of applicable d&b full range cabinets with a maximum weight of 8 kg (17.6 lb) - e.g. d&b E4, E5, E6 or 16C.

Two M8 threaded inserts are incorporated, one on each side panel to allow the attachment of a dedicated horizontal bracket.

2.2 Connections

The cabinet is fitted with NLT4 F/M connectors. All four pins of both connectors are wired in parallel. It uses the pin assignments 2+/2-. Pins 1+/1- are designated to TOP cabinets. Using one as the input, the second connector allows for direct connection to a second cabinet.

The cabinet can be supplied with 2 x NL4 M connectors as an option.

d&b LoadMatch

With the d&b four channel amplifier platform, the LoadMatch function enables the amplifier to electrically compensate for the properties of the loudspeaker cable used without the need for an additional sense wire. For applicable loudspeakers, LoadMatch is therefore independent of the connector type used.

2.3 Operation

NOTICE!

Only operate d&b loudspeakers with a correctly configured d&b amplifier, otherwise there is a risk of damaging the loudspeaker components.

Applicable d&b amplifiers:

D20/D80/D6/10D/30D.

Amplifier output mode(s): Dual Channel or Mix TOP/SUB		
Application	Setup	Cabinets per channel
B8-SUB	B8-SUB	2

2.3.1 Controller settings

For acoustic adjustment the 100 Hz mode can be selected.

100 Hz mode

With the 100 Hz mode selected, the upper operating frequency of the system is reduced from 170 Hz to 125 Hz.

It can be used when actively driven B8-SUB cabinets are used to supplement TOP cabinets operated in full range mode, for example in a distributed sound system. The 100 Hz mode can also be used to compensate for the effect of close coupling between the B8-SUB and TOP cabinets operated in CUT mode.

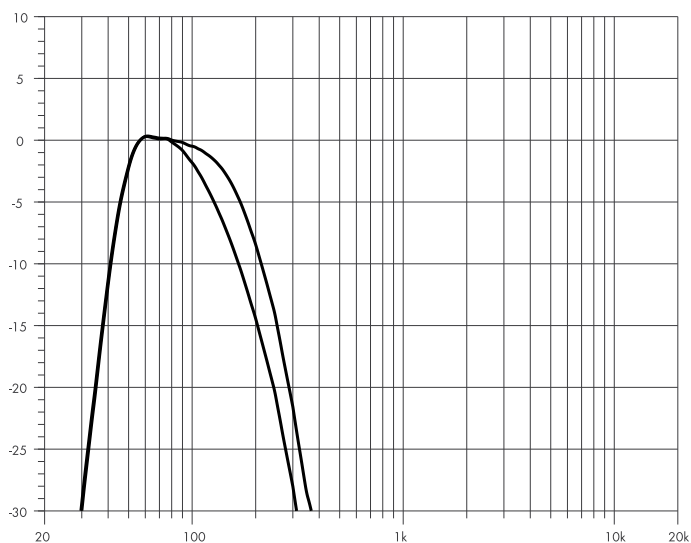
2.4 Technical specifications

System data

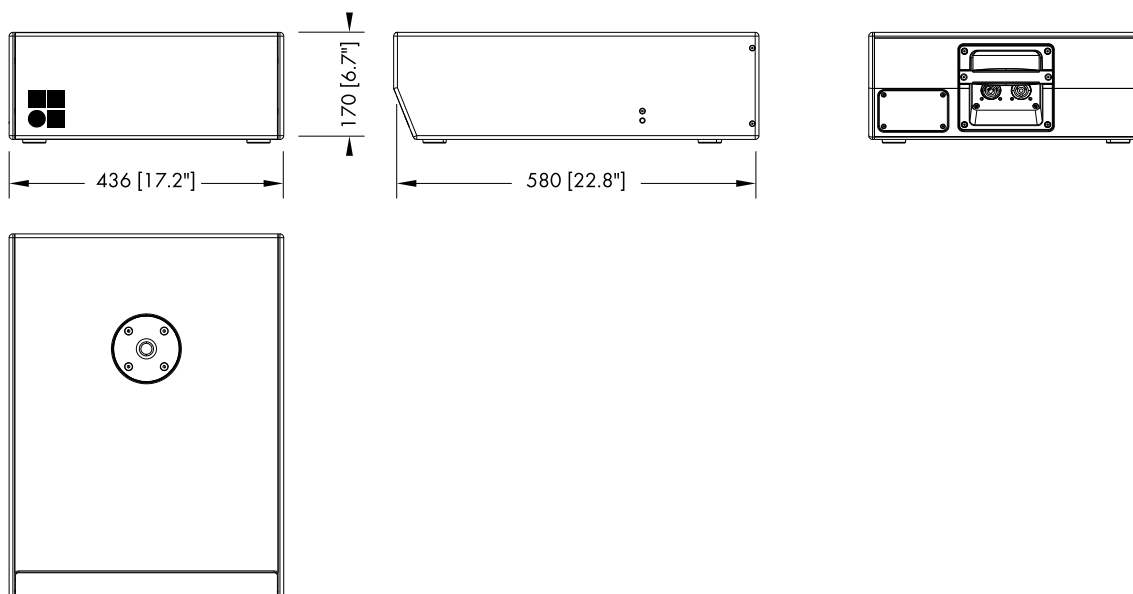
Frequency response (-5 dB standard)	43 Hz - 170 Hz
Frequency response (-5 dB 100 Hz mode)	43 Hz - 125 Hz
Max. sound pressure (1 m, free field)	
with D6/10D	120 dB
with D20/30D	122 dB
with D80	122 dB
..... (SPLmax peak, pink noise test signal with crest factor 4)	

Loudspeaker data

Nominal impedance	8 ohms
Power handling capacity (RMS/peak 10 ms)	200/800 W
Components	2 x 6.5" driver with ferrite magnet
Connections	NLT4 F/M
.....	optional 2 x NLT4 M
Pin assignment	2+ / 2-
Weight	18 kg (39 lb)



B8-SUB frequency response, standard and 100 Hz modes



B8-SUB cabinet dimensions in mm [inch]



3.1 EU conformity of loudspeakers (CE symbol)

This declaration applies to:

d&b B8-SUB loudspeaker, Z0630

manufactured by d&b audiotechnik GmbH.

All production versions of these types are included, provided they correspond to the original technical version and have not been subject to any later design or electromechanical modifications.

We herewith declare that said products are in conformity with the provisions of the respective EC directives including all applicable amendments.

A detailed declaration is available on request and can be ordered from d&b or downloaded from the d&b website at www.dbaudio.com.

3.1.1 WEEE Declaration (Disposal)

Electrical and electronic equipment must be disposed of separately from normal waste at the end of its operational lifetime.

Please dispose of this product according to the respective national regulations or contractual agreements. If there are any further questions concerning the disposal of this product, please contact d&b audiotechnik.



